



## Wood-Burning Units

To be completed and attached to the Building Permit Application Form

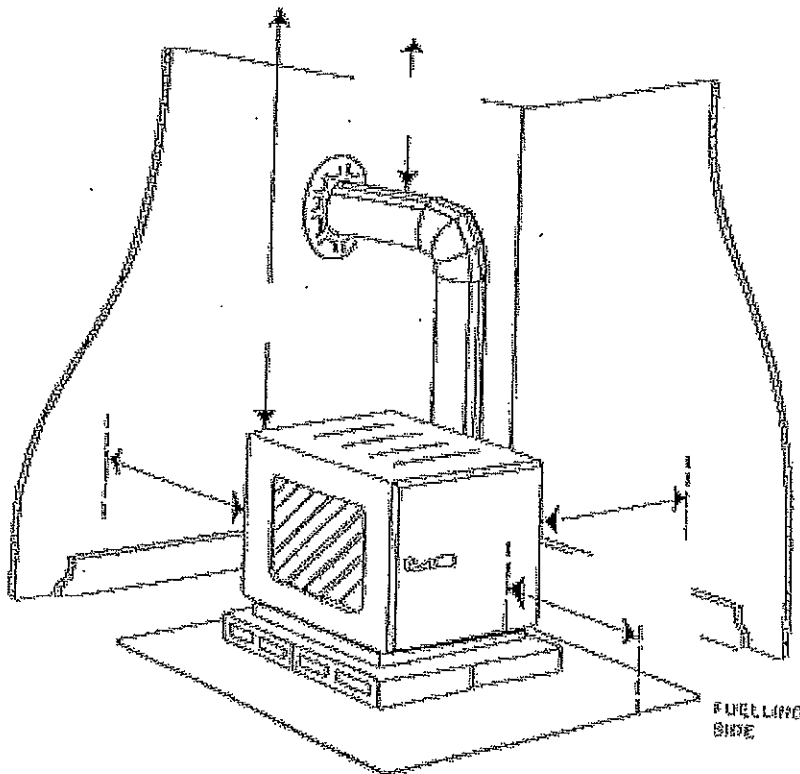
Draw a diagram of the wood-burning unit including:

- the distance from each wall
- the distance which the non-combustible floor extends around all sides of the unit
- Flue type and clearance (*example of diagram below*)

Is the wood-burning unit ULC or Warnock-Hershey approved?  Yes  No

If no, where did you purchase the unit? \_\_\_\_\_

What type of floor is the wood-burning unit on?  Concrete Blocks  Tiles



**Applicant must also submit:**

- Manufacturer's Specifications that come with stove
- If installing a used stove, a company that is WETT (Wood Energy Technology Transfer) certified needs to be used